

# PRODUCT SPECIFICATION

MONOCHROME LCD MODULE

PART NUMBER : FDAD1602X

DESCRIPTION : 2x16 character

REVISION : Rev A

Approval for Specification only		Approval for Sample Only
Approval for Pre-production	<b>x</b>	Approval for Mass Production



# FDAD1602X ( 16 CHARACTERS x 2 LINES )

## FEATURES

- ◆ 5 x 7 DOTS WITH CURSOR
- ◆ BUILT-IN CONTROLLER IIC
- ◆ 3 V POWER SUPPLY
- ◆ 1/16 DUTY CYCLE

## MECHANICAL DATA

ITEM	DIMENSIONS	UNIT
Module Size ( W x H x T )	73.25 x 35.5 x 11.5	mm
Viewing Area ( W x H )	52.0 x 14.4	mm
Character Size ( W x H )	2.55 x 4.99	mm
Character Pitch ( W x H )	3.16 x 5.41	mm
Dot Size ( W x H )	0.47 x 0.58	mm
Dot Pitch ( W x H )	0.52 x 0.63	mm

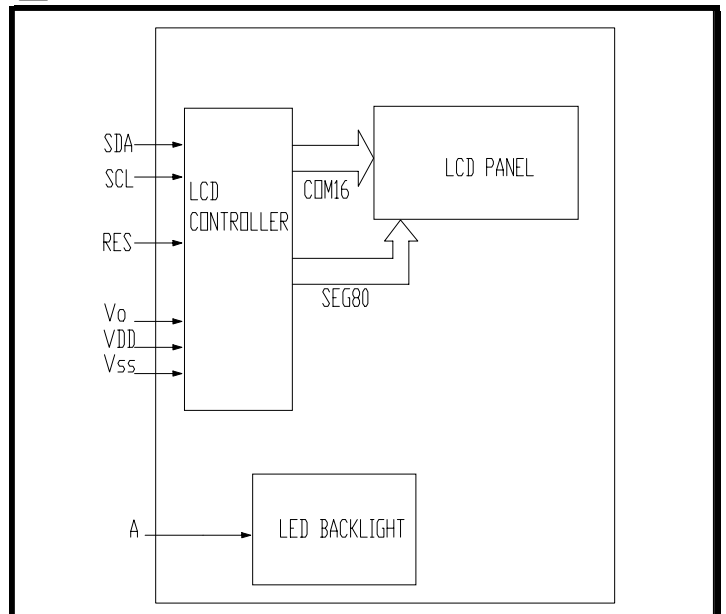
## INTERFACE PIN CONNECTIONS

NO.	SYMBOL	FUNCTION
1	VSS	Supply Ground
2	VDD	Supply Voltage
3	Vo	Contrast Adj.
4	SDA	IIC Bus Serial Data Input/Output
5	SCL	IIC Bus Serial Clock Input
6	A	Enable Signal
7	RES	Reset Input

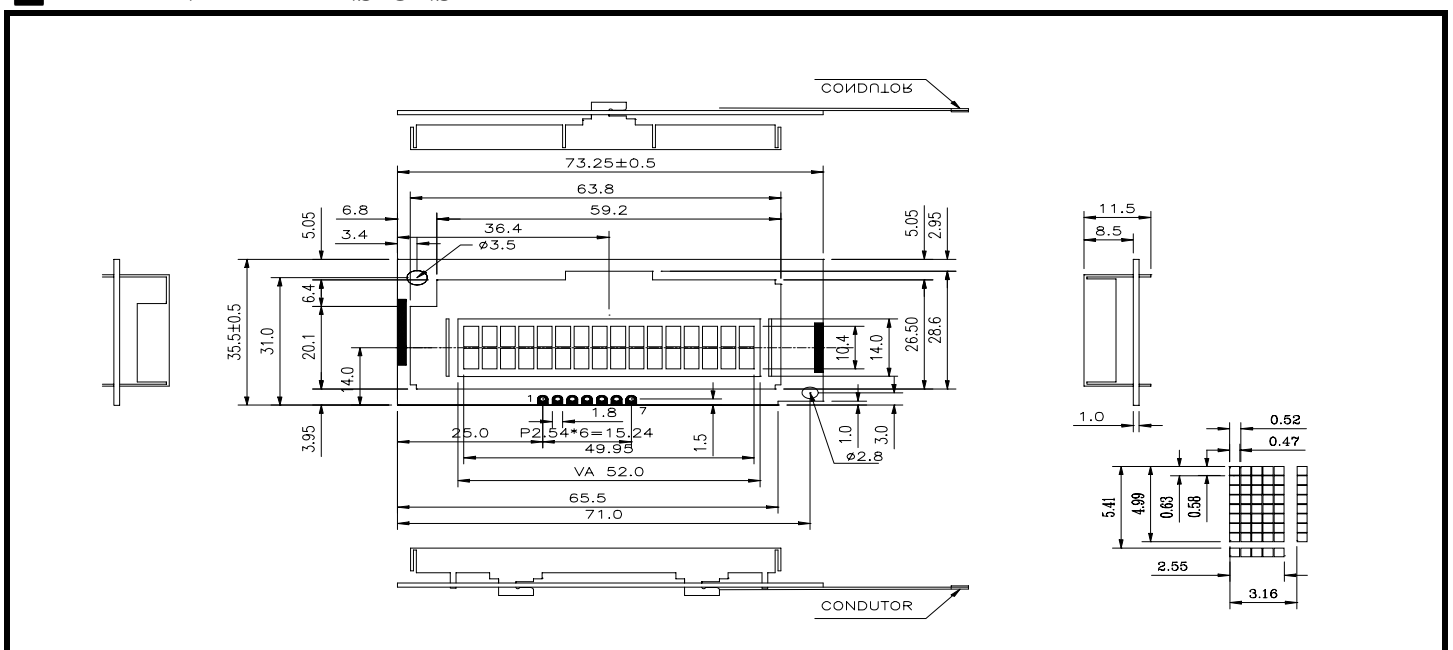
## ELECTRICAL CHARACTERISTICS

ITEM	SYMBOL	CONDITION	MIN.	TYP.	MAX.	UNIT	
LCD Operating Voltage	V <sub>DD-Vo</sub>	T=0°C	-	-	-	V	
		T=25°C	4.0	4.5	5.0	V	
		T=50°C	-	0	-	V	
Supply Voltage	V <sub>DD-VSS</sub>	-	2.2	3	3.5	V	
Supply Current	I <sub>DD</sub>	-	-	2	4	mA	
Input Voltage	"HIGH" Level	V <sub>IH</sub>	-	2.2	-	V <sub>DD</sub>	V
	"LOW" Level	V <sub>IL</sub>	-	0	-	0.6	V
Output Voltage	"HIGH" Level	V <sub>OH</sub>	-	2.4	-	-	V
	"LOW" Level	V <sub>OL</sub>	-	-	-	0.4	V

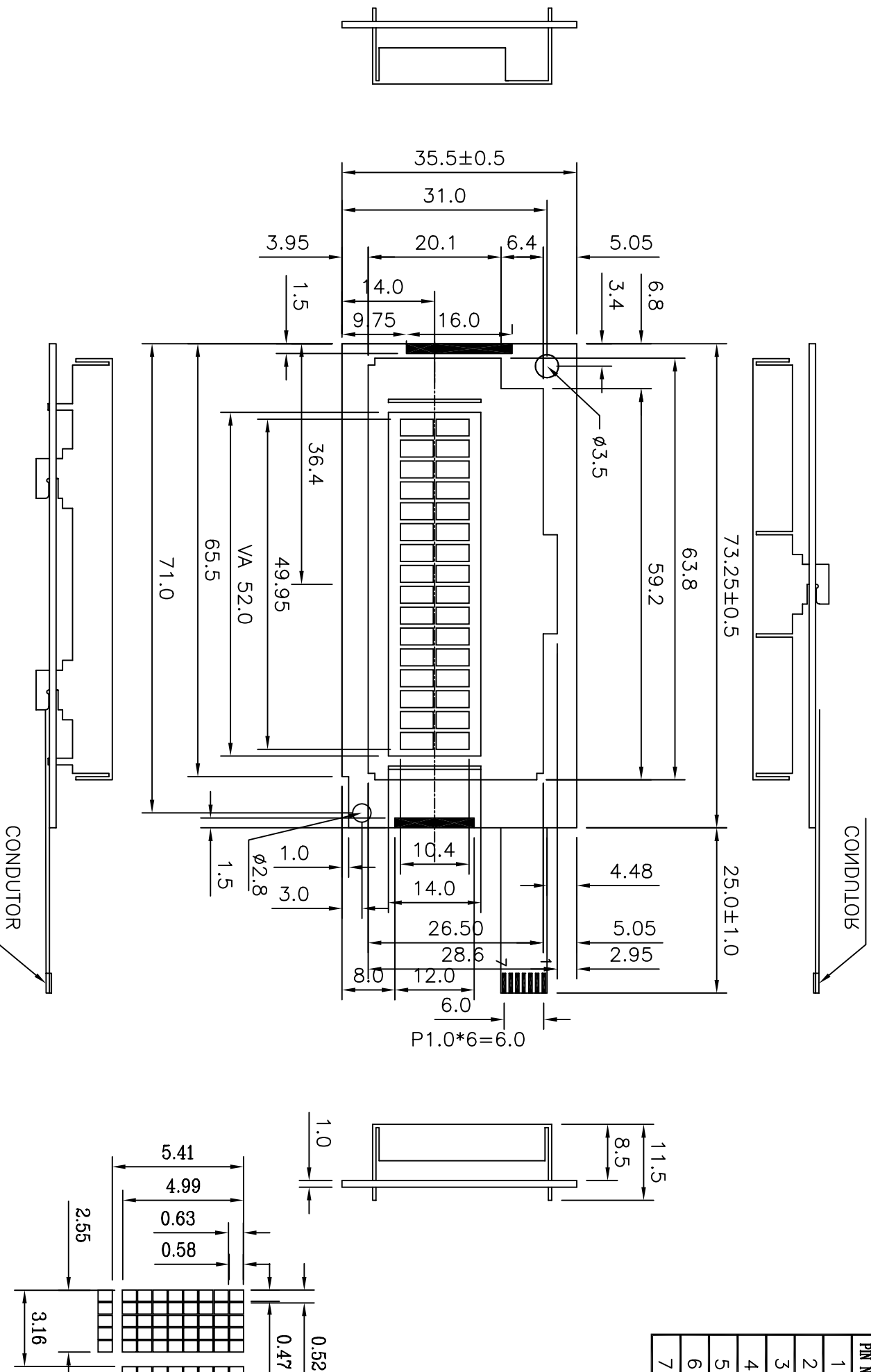
## BLOCK DIAGRAM



## EXTERNAL DIMENSIONS



PIN NO	SIGNAL
1	VSS
2	VDD
3	VO
4	SDA
5	SCL
6	A
7	RES



NOTE	ITEM	CONTENT	DATA	REV	TOLERANCE	SCALE	UNIT	DWGN	DATE	CUSTOMER	APVL	TYPE	MODEL	DWG NO	PAGE
銅箔-1.5*16.0 及 1.5*12.0 二面		NEW DRAWING	2002.11.25	REV.0	X. ±0.30 X. ±0.20 .XX±0.05	1/1	mm	HSU	2002.11.25			MODULE	SD1602X	SD-0069	1/1

**SUNLIKE DISPLAY**